



**OPERATING MANUAL**  
**Model: ITGS-462**  
**Indoor Motion Sensor Light**

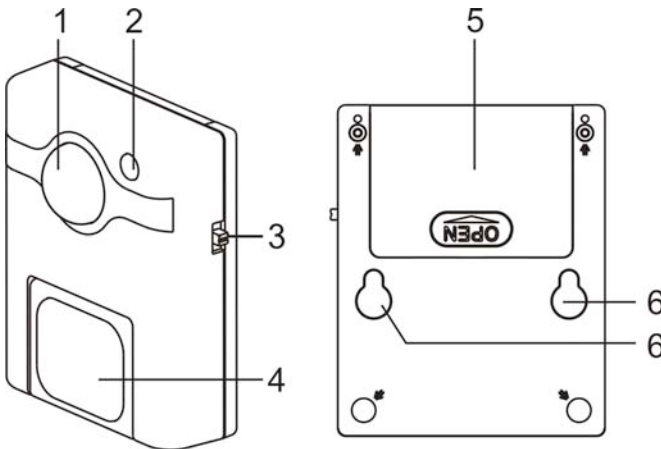
## Introduction

The Indoor Motion Sensor Light is a battery powered light that installs in minutes and turns on automatically whenever it detects a presence. It's perfect to brighten a dark stairway or hallway wherever you need light for safety, security and convenience. It is an ideal for emergencies or power outages and can be hand carried and operated as a flashlight. Also it's convenience to install anywhere. No electrical outlets are required!

The Indoor Motion Sensor Light has a built-in motion sensor (1) which automatically turns on the light (4) at night whenever a moving heat source is detected. The light (4) comes on for approximately 30 seconds and remains on as long as motion continues to be detected in the area. The Indoor Motion Sensor Light also has a daylight sensor (2) which prevents the light (4) from being activated during the day or when the area is already illuminated by another light source.

Unlike conventional LEDs which light only a small surface, the four ultra-bright LEDs delivers a wide beam of light to help light your path or to provide convenient hands-free illumination in those hard-to-see areas.

## Product and Specification



Power Supply:	4.5V ■■■ (3 x AAA size batteries, not included)
Light-on Duration In AUTO Mode:	30 seconds
Maximum Detection Distance:	20 feet
Initialized Time:	approx. 5 seconds
Operation Temperature:	-5 to 45 °C
Storage Temperature:	-15 to 55 °C
Accessory:	Screws (2pcs), Plastic Anchors (2pcs), Double-Sided Adhesive Strips (6 pcs).

## Battery Installation

Press and slide the battery cover (5) out and insert 3 x AAA size (UM-4 or equivalent) batteries (not supplied) into the battery compartment according to the polarities shown in the compartment. Refit the battery cover (5).

Battery Caution:

- Do not mix old and new batteries.
- Do not mix alkaline, standard or rechargeable batteries.
- Only batteries of the same or equivalent type as recommended are to be used.
- Batteries are to be inserted with the correct polarity.**
- Exhausted or dead batteries are to be removed from the unit.

## Selecting a location

- Before mounting, choose a location carefully. The maximum detection distance is 20 feet and the effective detection angle of 100 degrees for 1m range, 30 degrees for 4m range, and a perfect mounting height will be 1.3m to 1.8m.
- Do not install the unit near any heat sources or heat vents or reflector surfaces (such as mirror, glasses or light colored walls). Also be aware of that pets and some passing-by animals may activate the motion sensor (1) and that in some locations external factors such as automobiles or pedestrians may need to be considered.

## Mounting the unit

Please use the supplied double-sided adhesive strips to mount the sensors or follow the instructions below.

1. Choose a location where you want to mount the unit. Turn the switch (3) to ON position and select the optimal coverage area by trying different heights and varying the angle of the light panel.
2. Then use a pencil and a ruler to mark the holes position. The distance between two mounting holes (6) is 49 mm, horizontally aligned.
3. Use a drill to make holes on where the marks are.
4. Insert the supplied plastic screw anchors fully into the holes.
5. Use a crosshead driver to screw the supplied metal screws into the plastic screw anchors.  
Leave approx. 3mm distance for mounting the unit.
6. Observe the mounted holes (6) behind the unit and mount the unit into the screws.
7. Adjust the light as needed by pivoting the light panel up and down.

NOTE: The pencil, ruler, drill and crosshead driver are not included.

## Switch Function

Each time the batteries are fitted as well as the switch (3) are set to AUTO, in dark the light (4) will initialize and illuminate for approx. 30 seconds then light off automatically.

Set to AUTO: The Indoor Motion Sensor light will illuminate for 30 seconds if a moving heat source is detected in dark.

Caution: The Indoor Motion Sensor light will initialize for 5 seconds before going to detect even if the light is just off.

Set to ON: The light (5) will illuminate all day long and you can use it like a flashlight.

Set to OFF: Light is off all the time.

Set to OFF to prevent unexpected power loss if you are travelling or the unit is not going to be used for an extended period of time.

## **Attention**

### **TO AVOID DAMAGE TO THE ELECTRICAL COMPONENTS**

- Do not point the sensor directly towards the sun.
- Do not drop the light.
- Avoid static electricity as it may damage the unit.

### **KEEP THE MANUAL FOR FUTURE REFERENCE.**

- Read, heed and follow all instructions before operating.
- Do not use the apparatus in places that are extremely hot, cold, dusty or humid. The apparatus shall not be exposed to dripping or splashing and no objects filled with liquids, such as vases, should be placed near the apparatus.
- Do not block any ventilation openings.
- Install the apparatus in accordance with the manufacturer's instructions.
- Clean the cabinet with a soft dry cloth only.
- If the apparatus is not used for a period of time, remove all batteries from the unit and store them in a cool dry area.
- Never try to disassemble the batteries, neither put batteries under the direct sunlight, nor throw them into fire or heater.
- Refer all servicing to qualified service personnel. Servicing required when the apparatus does not operate normally or has been damaged in any way such as liquids spilled into the apparatus, any hard object fallen on the apparatus, the apparatus has been dropped, the apparatus has been exposed to rain or moisture.
- The marking information is located at the back of the apparatus.
- Attention should be drawn to the environmental aspects of batteries disposal.
- Use the apparatus in moderate climates.

## FCC Statement

Warning: Changes or modifications to this unit not expressly approved by the party responsible for compliance could void the user authority to operate the equipment.

NOTE: This equipment has been tested and found to comply with the limits for Class B digital device, pursuant to part 15 of the FCC Rules. These limits are designed to provide reasonable protection against harmful interference in a residential installation. This equipment generates, uses and can radiate radio frequency energy and, if not installed and used in accordance with the instructions, may cause harmful interference to radio or television reception, which can be determined by turning the equipment off and on, the user is encouraged to try to correct the interference by one or more of the following measures:

- Reorient or relocate the receiving antenna.
- Increase the separation between the equipment and the receiver.
- Connect the equipment into an outlet on a circuit different from that to which the receiver is connected.
- Consult the dealer or an experienced radio/TV technician for help.

Innovative Technology Electronics Corp.

Limited Warranty: 90 Days Labor, One Year Parts

Innovative Technology Electronics Corp. (IT) warrants the product to be free from “Defects” in materials under normal use for a period of “One Year” from the date of the original purchase. The Warranty is “Not” transferable. IT agrees, within the initial “90 Day” period, to repair or replace the product if it is determined to be defective at “No Charge”. It is further agreed that IT will cover the cost to repair or replace damaged “Parts” only for a total period of “One Year” from the date of the original purchase. The warranty does not cover cosmetic damage, antennas, AC cords, cabinets, headbands, ear-pads, or damage due to line power surges, connection to improper voltage supply or settings, misuse, mishandling, accident, acts of God or attempted repair by an unauthorized service agent.

**To obtain service, the purchaser MUST present an original sales receipt / proof of purchase. Please contact us at [www.ithomeproducts.com](http://www.ithomeproducts.com) to request an RMA (Return Material Authorization) number to return products for service or replacement.** Returns without an RMA number on the package will be refused and returned to sender. Upon receipt of the returning item and our full inspection (IT) may issue a replacement to customer for the same item or of one that has equivalent value and features. To return an item, supply full name, return address, phone number, item purchased, receipt of purchase and reason for return to obtain RMA number.

All returns must be in the original packaging or reasonable substitute to prevent damage. Customer “Must” include full name, shipping address and telephone number inside of package. No return will be shipped back to a PO Box or APO address.

Please include your check or money order in the amount of

- **USD\$5.00 for items \$10.00 to \$39.99 (Price Paid Per Unit)**
- **USD\$10.00 for items \$40.00 to \$99.99. (Price Paid Per Unit)**
- **USD\$16.00, for items \$100.00 and up. (Price Paid Per Unit)**
- **Shipping fees are non-refundable**

to be payable to Innovative Technology Electronics Corp.(for handling and return shipping charges) (IT) will not be responsible for delays or unprocessed claims resulting from a purchaser's failure to provide any / all of the necessary information. Send all inquiries or RMA request via our website [www.ithomeproducts.com/support](http://www.ithomeproducts.com/support).

Innovative Technology Electronics Corp.

1 Channel Drive

Port Washington, NY 11050

Toll free: 1-877-483-2497

**Website for support: [www.ithomeproducts.com/support](http://www.ithomeproducts.com/support)**

There are no express warranties except as listed above.

REPAIR OR REPLACEMENT AS PROVIDED UNDER THIS WARRANTY IS THE EXCLUSIVE REMEDY OF THE CUSTOMER, (IT) SHALL NOT BE LIABLE FOR ANY INCIDENTAL OR CONSEQUENTIAL DAMAGES FOR BREACH OF ANY EXPRESS OR IMPLIED WARRANTY ON THIS PRODUCT EXCEPT TO THE EXTENT PROHIBITED BY APPLICABLE LAW. ANY IMPLIED WARRANTY OF MERCHANTABILITY OR FITNESS FOR A PARTICULAR PURPOSE ON THIS PRODUCT IS LIMITED IN DURATION TO THE DURATION OF THIS WARRANTY.

Some states do not allow the exclusion or limitation of incidental or consequential damages, or limitations on how long an implied warranty lasts, so the above exclusions or limitations may not apply to you. This warranty gives you specific legal rights and you may also have other rights, which vary from state to state.

462110300E